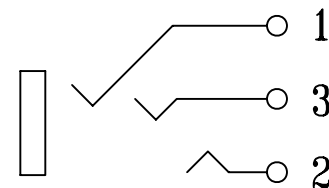
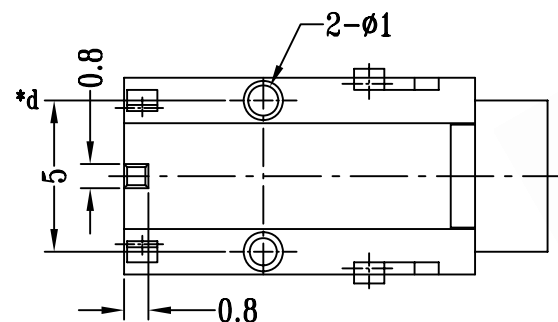
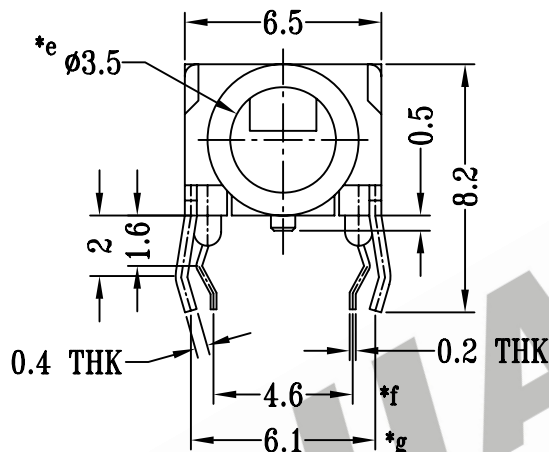
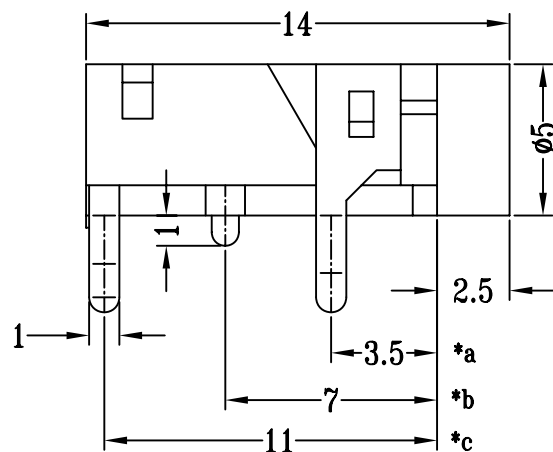
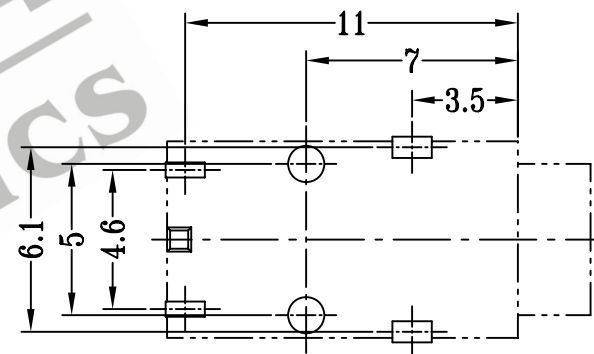


CAD FILE:



SCHEMATIC



P.C.B LAYOUT

注:带"*"表示关键尺寸(7个)

8					TOLERANCE	SHENZHEN XIEJIA ELECTRONICS CO.,LTD.					
7					UNLESS SPECIFIED						
6					WITHIN: 1.5±0.1mm	ISSUE	DATE	DESCRIPTIONS OF REVISION		APPD.	
5				OVER: 1.5±0.2mm							
4	SPRING TERMINAL	PBS STRIP	1	Ag PLATED OVER Ni PLATED	TITLE : PHONE JACK			UNIT : mm	DRWG NO.: XJ-DR-ST006-00		
3	SPRING TERMINAL	PBS STRIP	1	Ag PLATED OVER Ni PLATED				MODEL: ST-006			SCALE: 4:1
2	TERMINAL	PBS STRIP	1	Ag PLATED OVER Ni PLATED	ALL MATERIALS MUST BE COMPLIANT TO ROHS						
1	CASE	PC	1	BLACK							
NO.	PARTS	MATERIALS	Q'TY	FINISH							